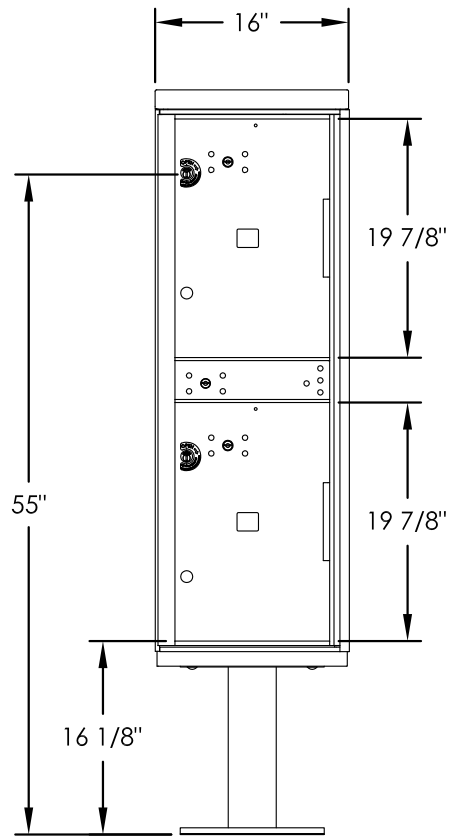
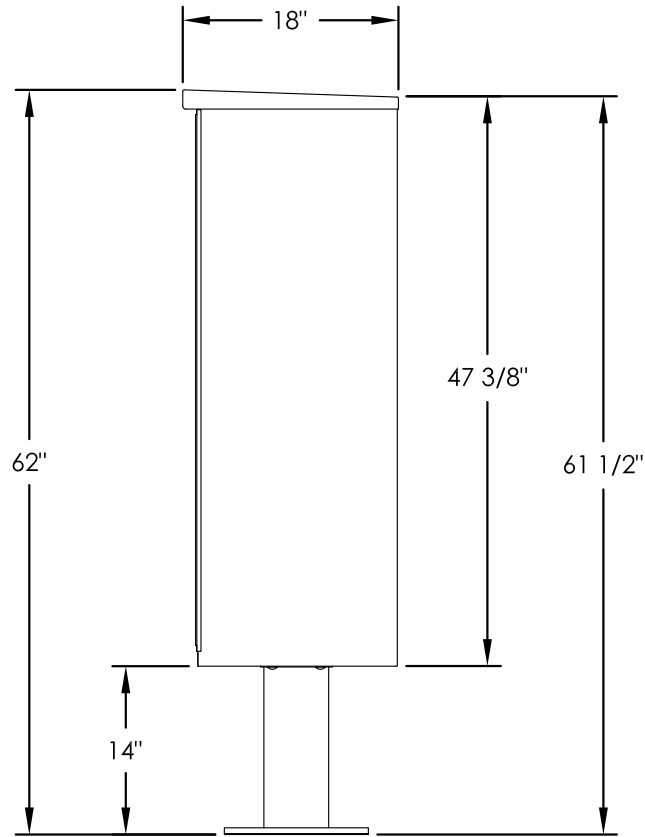


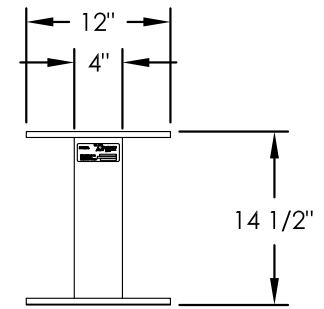
valiant™ Outdoor Parcel Locker - Type I



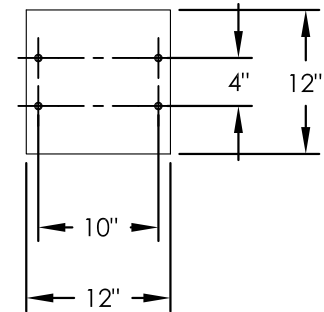
FRONT VIEW



SIDE VIEW



PEDESTAL



PEDESTAL BASE
BOLT PATTERN

DOOR CHART

DOOR TYPE	DIMENSION (HEIGHT x WIDTH)
PARCEL	19-7/8"x12-13/16"

NOTES:

1. This unit is approved for USPS and private applications.
2. Includes Rubber Pad for installation; mounting hardware not included, refer to installation manual for recommendations.
3. Florence is the only approved manufacturer of OPL units.

PRODUCT SERIES: valiant™ OUTDOOR PARCEL LOCKER	
AF FLORENCE manufacturing company	
5935 Corporate Drive • Manhattan, KS 66503 www.florencemailboxes.com • (800) 275-1747 A GIBRALTAR INDUSTRIES COMPANY	
MODEL 1590-T1	REV A
SCALE NONE	LAST REV DATE 9/26/2012
DRAWING NUMBER 1590-T1CS	DRAWN BY AFD